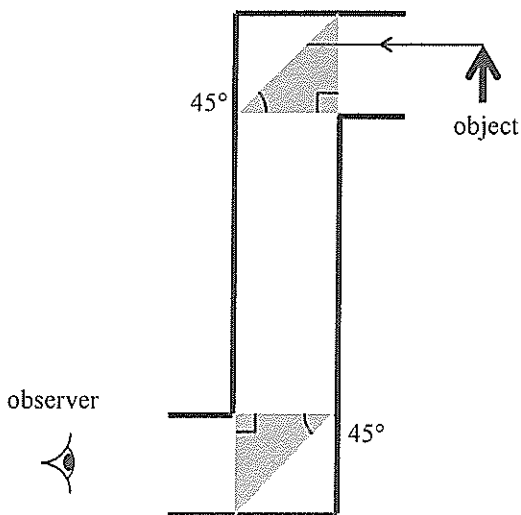


(b) A student designs a periscope using two plastic prisms, the refractive index of the plastic is 1.36. As shown in Figure 7.2, an object is placed in front of the periscope.

Figure 7.2



(i) Complete the path of the light ray from the object in Figure 7.2, and explain why the periscope fails to work. (3 marks)

.....

.....

.....

.....

.....

.....

(ii) What can be used to replace the two plastic prisms so that the periscope can work properly? (1 mark)

.....

.....

Answers written in the margins will not be marked.

Answers written in the margins will not be marked.

Answers written in the margins will not be marked.